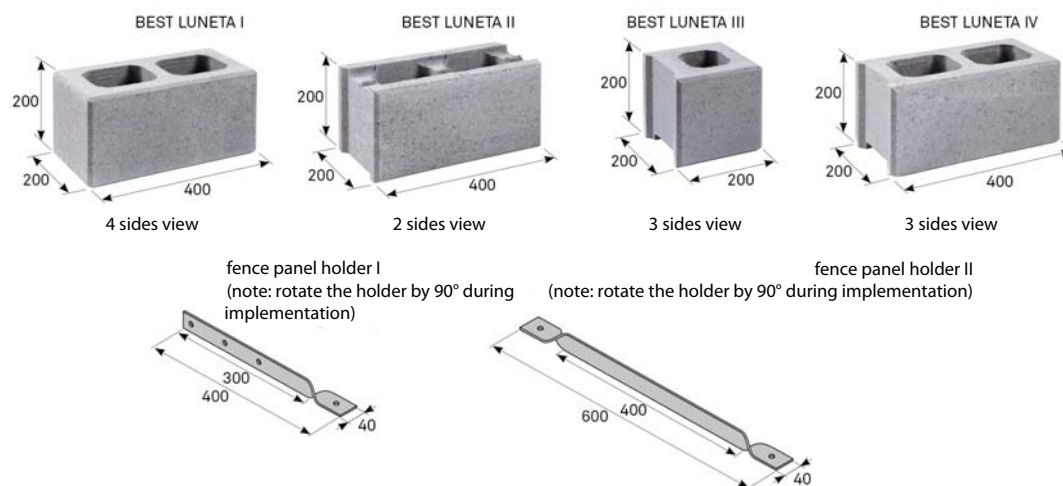


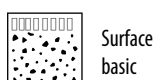


TECHNICAL INFORMATION



| name | layout dimensions (mm) | | | quantity (pcs) | | weight (kg) | | | max. tonnage up to 24 tonnes | |
|-------------------------------------|------------------------|----------------|-------|----------------|--------|-------------|--------|--------------|------------------------------|------|
| | height | wall thickness | width | layer | pallet | pcs | pallet | incl. pallet | pcs of pallets | pcs |
| BEST LUNETA I columnar | 200 | 400 | 200 | 12 | 60 | 19.5 | 1170 | 1200 | 20 | 1200 |
| BEST LUNETA II continuous | 200 | 400 | 200 | 12 | 60 | 19.0 | 1140 | 1170 | 20 | 1200 |
| BEST LUNETA III end half-cut | 200 | 200 | 200 | 24 | 120 | 12.0 | 1440 | 1470 | 16 | 1920 |
| BEST LUNETA IV end | 200 | 400 | 200 | 12 | 60 | 18.5 | 1110 | 1140 | 20 | 1200 |

EXPLANATIONS OF PICTOGRAMS

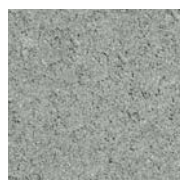


TECHNICAL INFORMATION

We are holders of the Gold Certificate for complete certification according to ISO 9001, ISO 14001, ISO 50001, ISO 45001. Our products are manufactured and inspected pursuant to European harmonized standards.

| production standard | maximum deviation from declared production dimensions | | tensile strength | capillary absorptivity | frost resistance ČSN 73 1322 |
|---------------------|---|----------|------------------|------------------------------------|------------------------------|
| | width and length | height | | | |
| ČSN EN 771-3+A1 | +3/-5 mm | +3/-5 mm | ≥ 25 MPa | not more than 7 g/m ² s | 50 cycles |

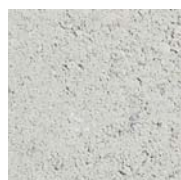
SURFACE FINISHES AND COLOURS



NATURAL



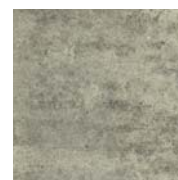
CARAMEL



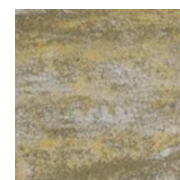
WHITE



COLORMIX ARABICA



COLORMIX BRILANT



COLORMIX SAND

| surface | characteristics | colour |
|----------|---|---|
| STANDARD | standard surface with natural aggregate roughness corresponding to the visible layer of concrete paving | natural, caramel, colormix arabica, colormix brilant, colormix sand |

GENERAL INFORMATION

Design masonry fittings made of plain vibro-pressed concrete with a smooth facing wall. The view part of the masonry fitting is lined around its perimeter with a facet. The brick construction of these elements thus forms a neat whole.

The minimum shipping quantity is 1 piece. The goods are loaded on marked pallets BEST (30 kg) or BEST large (38 kg) according to the production capacity of individual plants.

During installation, it is important to follow the correct procedure according to the instructions for use (www.best.cz).

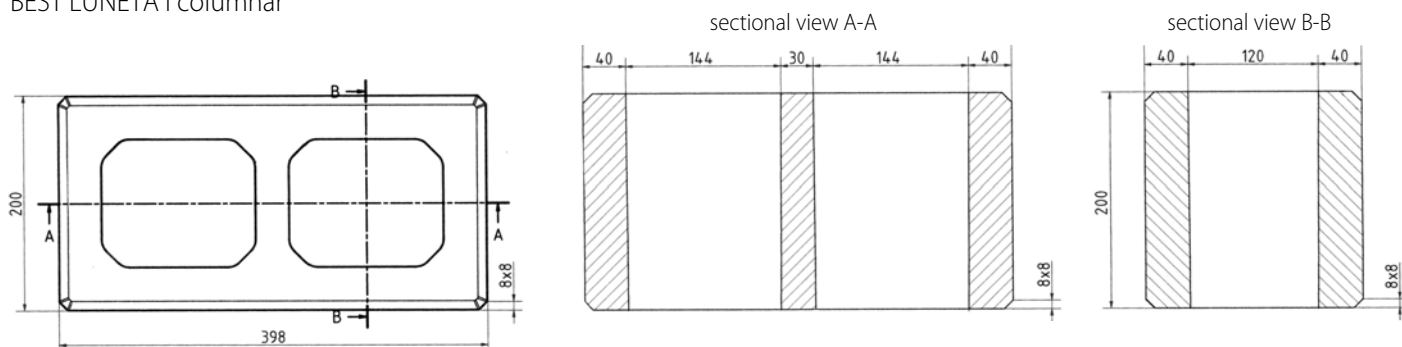


703/2020

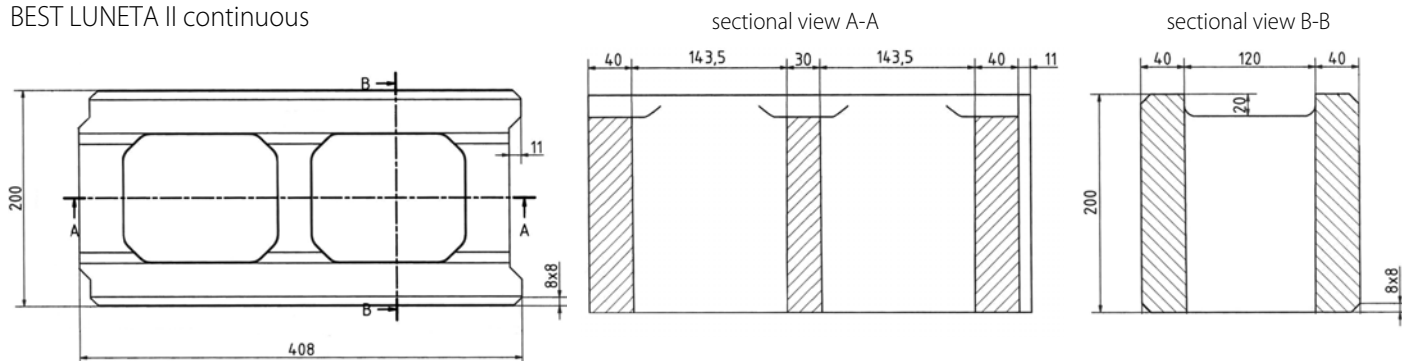


TECHNICAL DRAWINGS (mm)

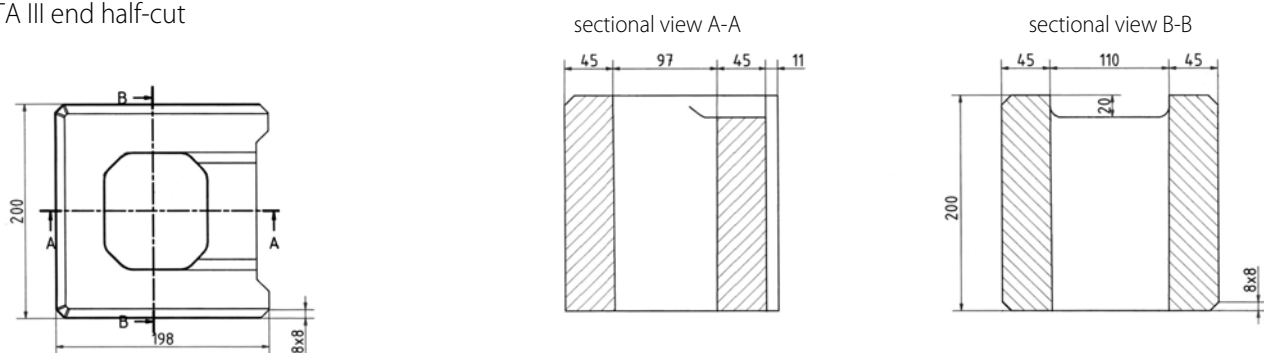
BEST LUNETA I columnar



BEST LUNETA II continuous



BEST LUNETA III end half-cut



BEST LUNETA IV end

