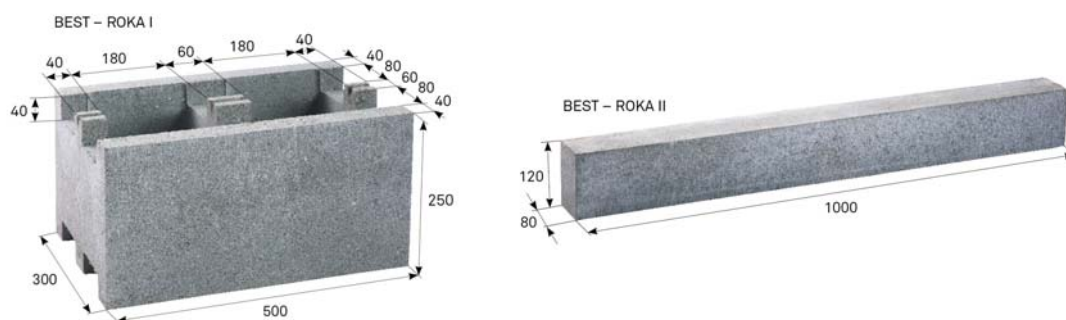




TECHNICAL INFORMATION



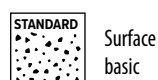
name	layout dimensions (mm)			consumption		quantity (pcs)		weight (kg)			max. tonnage up to 24 tonnes	
	height	wall thickness	width	pcs/lm	pcs/m ²	layer	pallet	pcs	pallet	including pallet	pcs of pallets	pcs
BEST ROKA I	250	500	300	2	6.9	8	40	34.5	1380	1418	16	640
BEST ROKA II	120	1000	80	2	6.9*	10	40	19.5	780	810	24	960

*The last row of BEST ROKA I fittings does not include BEST ROKA II elements anymore, therefore the consumption of this element must be reduced by 2 pieces per 1 lm of fence.

We are holders of the Gold Certificate for complete certification according to ISO 9001, ISO 14001, ISO 50001, ISO 45001. Our products are manufactured and inspected pursuant to European harmonized standards.

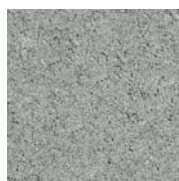
production standard	maximum deviation from declared production dimensions		tensile strength	capillary absorptivity	frost resistance ČSN 73 1322
	width and length	height			
ČSN EN 771-3+A1	+3/-5 mm	+3/-5mm	≥ 25 MPa	not more than 7 g/m ² s	50 cycles

EXPLANATIONS OF PICTOGRAMS



Surface basic

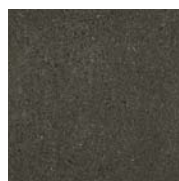
SURFACE FINISHES AND COLOURS



NATURAL



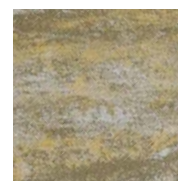
CARAMEL



ANTHRACITE



COLORMIX BRILANT



COLORMIX SAND

surface	characteristics	colour
STANDARD	standard surface with natural aggregate roughness corresponding to the visible layer of concrete paving	BEST ROKA I: natural, colormix brilant, colormix sand BEST ROKA II: natural, caramel, anthracite

GENERAL INFORMATION

Design masonry fittings made of plain vibro-pressed concrete with a smooth facing wall. A linear element forming a compact design unit thanks to the combination of fitting and beam.

The minimum shipping quantity is 1 piece. The goods are loaded on marked pallets BEST (30 kg) or BEST large (38 kg) according to the production capacity of individual plants.

During installation, it is important to follow the correct procedure according to the instructions for use (www.best.cz).

TECHNICAL DRAWINGS (mm)

BEST ROKA I

